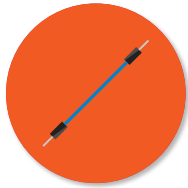


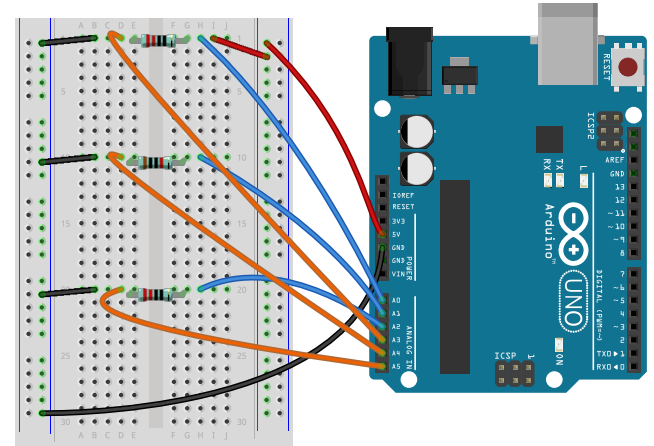


Series vs Parallel Circuits

PARTS YOU'LL NEED

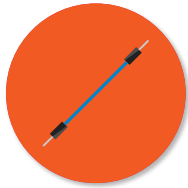


1. Switch your circuit to a SERIES circuit. Start by removing the 2 power wires in I10 and I20.

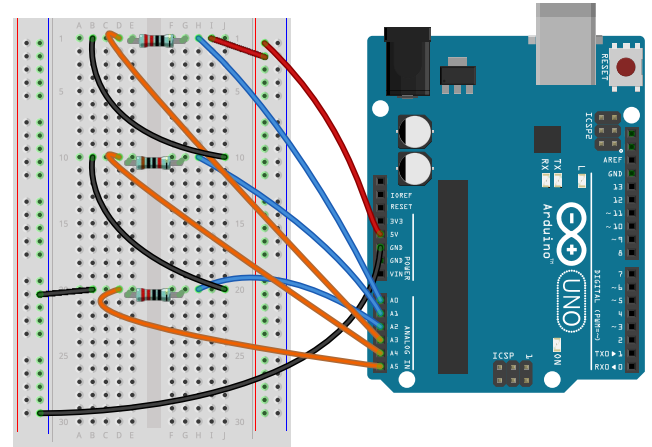


fritzing

PARTS YOU'LL NEED



2. Now move the connected to ground so that B1 is connected to I10 and B10 is connected to I20.



fritzing

PARTS YOU'LL NEED



3. Your series circuit is now built. Use the same code and the same resistor value, and see how the voltage and current amounts have changed!

CONGRATULATIONS! YOUR PARALLEL CIRCUIT
IS NOW COMPLETE.